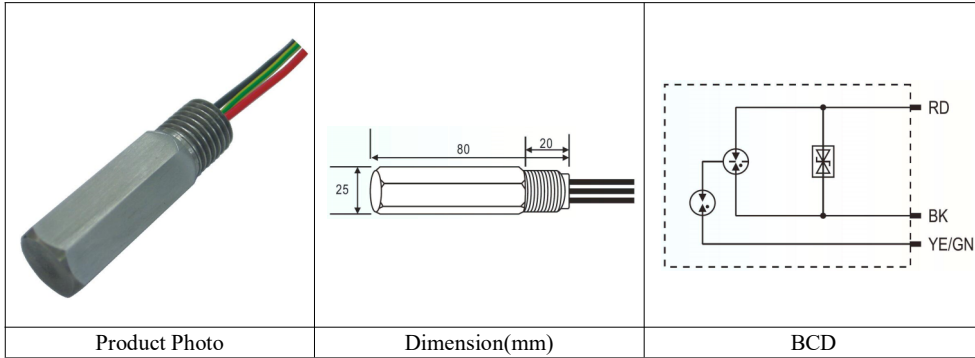




## ■ TSTLP®/TS-EX24 Surge Arrester for Hazardous Areas Technology System

- ❖ Installed at LPZ Ob-2 or higher inside the control equipment, the built-in cable connected with the control equipment's wiring terminal. Applied in intrinsically safe circuit in hazardous areas and 4-20mA measuring control system and bus system.



### ❖ TECHNICAL DATA

Model Number		<b>TS-EX24</b>
Normal Voltage	$U_n$	24V-
Rated voltage (max. continuous voltage)	$U_c$	32V- 22.6V ~
Lightning impulse current (10/350)	$I_{imp}$	1.5kA
Normal current	$I_L$	0.55A
Nominal discharge current (8/20)	$I_n$	10kA (per line); 10kA(total)
Voltage protection level at $I_n$	$U_p$	$\leq 58V$ (line/line); $\leq 1700V$ (line/PG)
Voltage protection level at 1kV/ $\mu$ s	$U_p$	$\leq 50V$ (line/line); $\leq 1200V$ (line/PG)
Bandwidth	$f_G$	67MHz
Capacitance	$C$	$\leq 25pF$ (line/line); $\leq 15pF$ (line/PG)
Operating temperature range		-40 °C ~ +80 °C
Mounting in		M20 x 1.5 screws
Connection (input / output)		1.3 mm x 250mm length of the connecting lead
Earthing via		Connecting lead
Enclosure material		Stainless steel case
Compliance		IEC-61643-21, GB18802.21, YD/T 1542

### ❖ MAIN CHARACTER

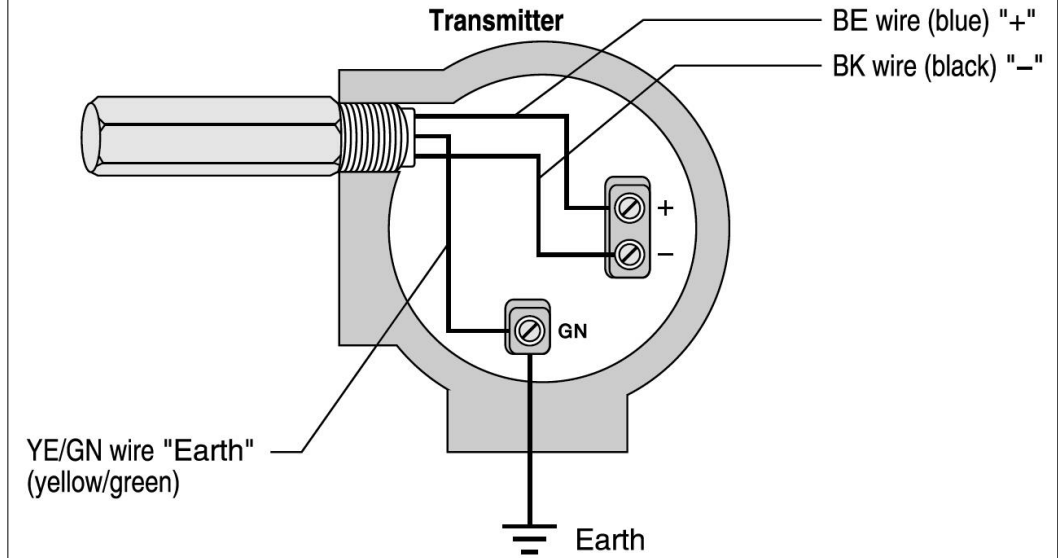
- ✓ Small & easy replacement.
- ✓ Easy to install inside the control equipment.
- ✓ Stainless steel housing, fireproof & explosion-proof outdoor use.

### Installation Instruction

1. Screwing into the wiring port of the control equipment directly
2. Blue wire connected with signal port "+", Black Wire connected with signal port "-"
3. Yellow / Green wire connect with grounding port "GN" of grounding system.
4. After installation, check if communication is be operating normally.

Regularly inspect the operating status, especially after lightning. Once the communication is off, electrician should check/replace the SPD.

### INSTALLATION DIAGRAM



### WARNING:

1. The device must be installed by electrically skilled person, conforming to national standards and safety regulations.  
It is recommended that installation should be done under power off condition.